

# DD-100·100F



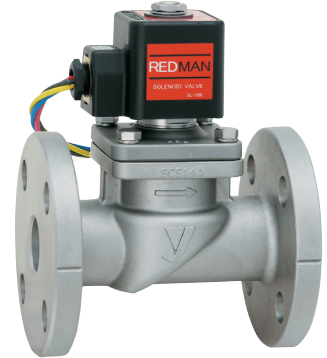
DP-100 <10A-25A>



DP-100 <32A-50A>



DP-100F <15A-25A>



DP-100F <32A-65A>

## Features

1. Ultra-high performance technology gives high precision in performance.
2. Three-times more durability than our conventional models.
3. ASM (Anti-Sticking Mechanism) for three-times more scale resistance.
4. Body and main parts made of stainless steel give higher corrosion resistance, making usable for clean fluid.
5. A combined internal component enables easy cartridge replacement with this product installed.

## Specifications

Model	DP-100	DP-100F
Application	Steam, Air, Cold and hot water, N <sub>2</sub> gas, CO <sub>2</sub> gas (dry), Ar gas, Oil (20 cSt or less)	
Working pressure	0-1.0 MPa (unusable under vacuum)	
Min. differential pressure	0 MPa (0.03 MPa or more is required for vertical installation)	
Allowable valve seat leakage	50 mL/min under standard conditions (at air pressure of 0.6 MPa)	
Temperature range	5-180°C (no freeze condition)	
Operation	Normally closed	
Material	Body	Cast stainless steel (SCS14A)
	Piston	Stainless steel (SCS14A)
	Valve disc	PTFE
Connection	JIS Rc screwed	JIS 10K FF flanged
Size	10A-50A	15A-65A

### Specifications of Coil

Rated voltage	AC 100 / 200 V selective type		AC 110 / 220 V selective type	
	50 / 60 Hz common			
Nominal size	10-25A	32-65A	10-25A	32-65A
Allowable fluctuation	Reted voltage -5% to + 10%			
Rated current	0.34 / 0.17 A	0.46 / 0.23 A	0.32 / 0.16 A	0.42 / 0.21 A
Starting current	1.64 / 0.82 A	1.90 / 0.95 A	1.48 / 0.74 A	1.80 / 0.90 A
Insulation class	Insulation class H			
Protective structure	Dust tight, Splash proof			
Ingress protection code	IP64 (JIS C0920)			
Insulation resistance	50 MΩ and more / 500 V megger			
Withstand voltage test	1500 V/min			



10A-25A

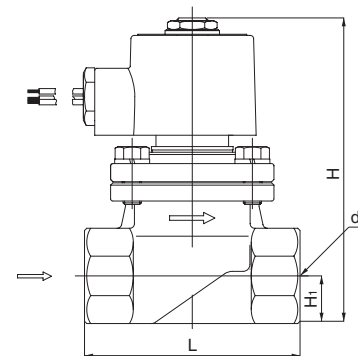


32A-50A

### Dimensions (mm) and Weights (kg)

●DP-100

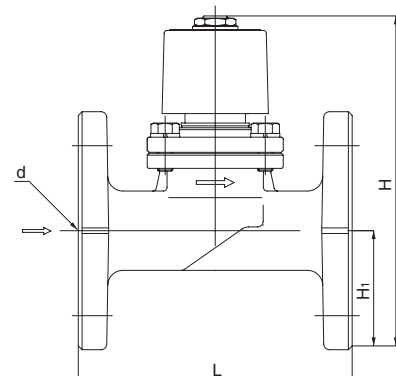
Nominal size	d	L	H	H <sub>1</sub>	Weight
10A	Rc 3/8	70	127	14.5	1.4
15A	Rc 1/2	70	127	14.5	1.4
20A	Rc 3/4	80	131	17.5	1.5
25A	Rc 1	95	135	21.0	1.9
32A	Rc 1-1/4	110	172	26.0	3.1
40A	Rc 1-1/2	120	178	29.5	4.0
50A	Rc 2	140	187	36.5	5.6



DP-100

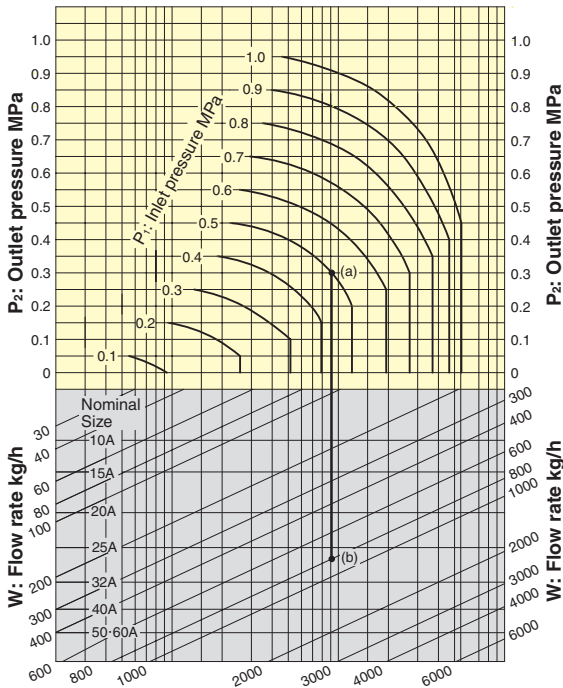
●DP-100F

Nominal size	d	L	H	H <sub>1</sub>	Weight
15A	15	120	161	47.5	2.7
20A	20	130	164	50.0	3.2
25A	25	145	177	62.5	4.5
32A	32	160	213	67.5	6.9
40A	40	170	219	70.0	8.0
50A	50	195	228	77.5	10.5
65A	65	198	238	87.5	12.3



DP-100F

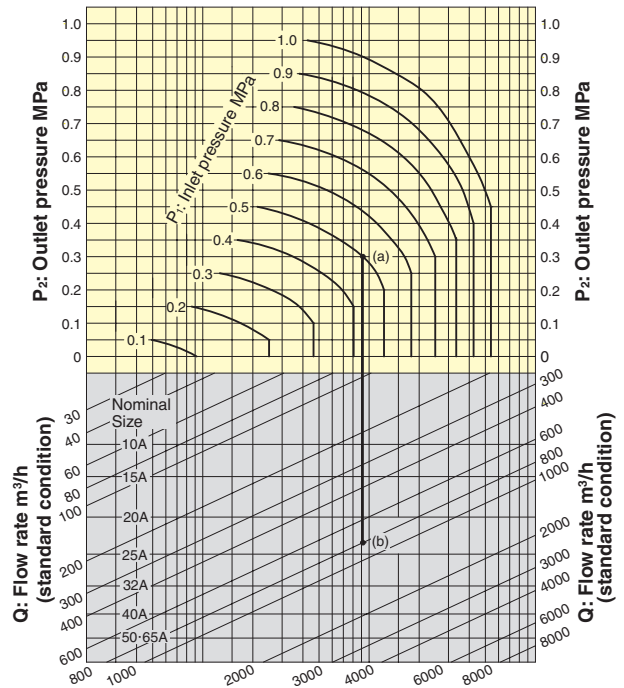
### Nominal Size Selection Chart (For Steam)



#### How to use the chart

When selecting the nominal size of a solenoid valve whose inlet pressure ( $P_1$ ), outlet pressure ( $P_2$ ), and steam (saturated steam) flow rate ( $W$ ) are 0.5 MPa, 0.3 MPa, and 800 kg/h, respectively, first find intersection point (a) of  $P_1 = 0.5$  MPa and  $P_2 = 0.3$  MPa. Trace down vertically from this intersection point (a) to find intersection point (b) with  $W = 800$  kg/h. Since this intersection point (b) lies between nominal sizes 25A and 32A, select the larger one, 32A.

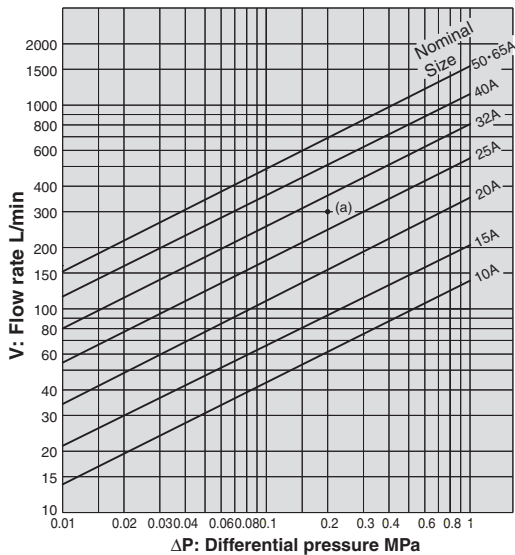
### Nominal Size Selection Chart (For Air)



#### How to use the chart

When selecting the nominal size of a solenoid valve whose inlet pressure ( $P_1$ ), outlet pressure ( $P_2$ ), and air (20°C) flow rate ( $Q$ ) are 0.5 MPa, 0.3 MPa, and 800 m<sup>3</sup>/h (standard condition), respectively, first find intersection point (a) of  $P_1 = 0.5$  MPa and  $P_2 = 0.3$  MPa. Trace down vertically from this intersection point (a) to find intersection point (b) with  $Q = 800$  m<sup>3</sup>/h (standard condition). Since this intersection point (b) lies between nominal sizes 20A and 25A, select the larger one, 25A.

### Nominal Size Selection Chart (For Water)



#### How to use the chart

When selecting the nominal size of a solenoid valve whose inlet pressure ( $P_1$ ), outlet pressure ( $P_2$ ), and flow rate ( $V$ ) are 0.5 MPa, 0.3 MPa, and 300 L/min, respectively, first find intersection point (a) of the differential pressure before and after the valve [ $\Delta P = 0.5 - 0.3 = 0.2$  MPa] and  $V = 300$  L/min. Since this intersection point (a) lies between nominal sizes 25A and 32A, select the larger one, 32A.