

AL-300·301

Features

1. Safety valve, simple structure and easy maintenance.
2. Easy adjustment.

Specifications

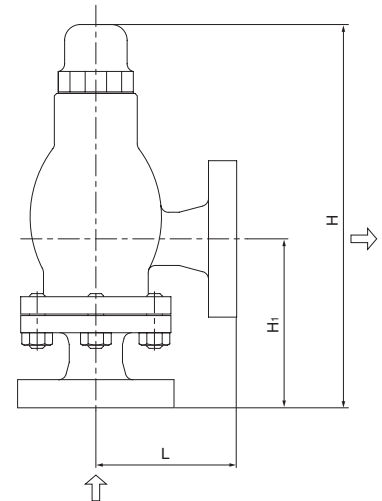
| | | |
|---------------------|--------------------|-------------------------------------------|
| Model | AL-300 | AL-301 |
| Structure | Closed type | |
| Application | Steam | |
| Working pressure | 0.05-1.0 MPa | 0.05-1.6 MPa |
| Maximum temperature | 220°C | |
| Material | Valve case | Ductile cast iron |
| | Spring case | Ductile cast iron |
| | Valve, valve seat | Cast bronze / Stainless steel |
| Connection | JIS 10K FF flanged | JIS 10K FF flanged / JIS 16K FF flanged * |

* JIS 16K FF flanged when working pressure is more than 1.0 MPa.



Dimensions and Weights

| Nominal size | Dimension (mm) | | | | Flow area $\pi D l$ (mm ²) | Weight (kg) |
|--------------|----------------|----------------|-----|---------------|-------------------------------------------|----------------|
| | L | H ₁ | H | Seat diameter | | |
| 15A | 90 | 108 | 245 | 25 | 49.1 | 4.7 |
| 20A | 90 | 108 | 245 | 25 | 49.1 | 5.0 |
| 25A | 90 | 108 | 245 | 25 | 49.1 | 6.2 |
| 32A | 91 | 115 | 285 | 37 | 107.6 | 8.6 |
| 40A | 91 | 115 | 285 | 38 | 113.5 | 8.8 |
| 50A | 105 | 132 | 311 | 50 | 196.4 | 12.6 |



Certified Capacity Table

● For steam (saturation temperature) <Pressure vessel structure standard>

| Nominal size \ Pressure MPa | (kg/h) | | | | | | | | | | | | | | | | |
|-----------------------------|--------|-----|-----|-----|-----|-----|-----|-----|-----|-----|------|------|------|------|------|------|------|
| | 0.05 | 0.1 | 0.2 | 0.3 | 0.4 | 0.5 | 0.6 | 0.7 | 0.8 | 0.9 | 1.0 | 1.1 | 1.2 | 1.3 | 1.4 | 1.5 | 1.6 |
| 15A | 38 | 50 | 73 | 98 | 123 | 148 | 172 | 196 | 220 | 244 | 268 | 292 | 316 | 340 | 364 | 387 | 411 |
| 20A | 38 | 50 | 73 | 98 | 123 | 148 | 172 | 196 | 220 | 244 | 268 | 292 | 316 | 340 | 364 | 387 | 411 |
| 25A | 38 | 50 | 73 | 98 | 123 | 148 | 172 | 196 | 220 | 244 | 268 | 292 | 316 | 340 | 364 | 387 | 411 |
| 32A | 85 | 110 | 160 | 214 | 270 | 324 | 377 | 430 | 482 | 535 | 588 | 640 | 693 | 745 | 798 | 849 | 902 |
| 40A | 89 | 116 | 168 | 226 | 285 | 342 | 398 | 454 | 509 | 564 | 620 | 675 | 731 | 786 | 841 | 896 | 951 |
| 50A | 155 | 201 | 292 | 392 | 494 | 592 | 689 | 785 | 881 | 977 | 1073 | 1169 | 1265 | 1360 | 1456 | 1551 | 1645 |

- AL-300: 0.05-1.0 MPa
- AL-301: 0.05-1.6 MPa
- Please contact us for the calculation procedure for nominal size selection.