

DS-1・2

Drain (condensate) in steam and air piping causes a decline in thermal efficiency, water hammer, corrosion of devices, valves, and pipes, and many other problems.

The DS-1 and DS-2 drain separators are capable of efficiently separating condensate from steam and air with the aid of centrifugal force generated from the configuration of the passage. In normal condition, use a separator of the same size as piping for both steam and compressed air systems.

Features

1. High efficient drain separation due to cyclone type.
2. Extremely low pressure loss.
3. Trouble-free by minimizing the number of moving parts.

Specifications

Model		DS-1	DS-2
Application		Steam, Air	
Maximum pressure		2.0 MPa (1.0 MPa for air)	
Maximum temperature		220°C	
Material	Body	Ductile cast iron	
	Nozzle	Cast iron	
	Receiver	Ductile cast iron	
Connection		JIS Rc screwed	JIS 10K/20K FF flanged



DS-1

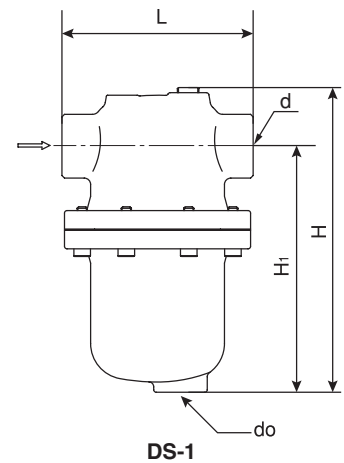


DS-2

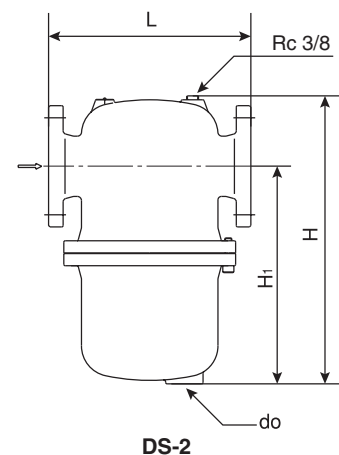
Dimensions (mm) and Weights (kg)

Model	Nominal size	d	L	H	H ₁	d ₀	Weight
DS-1	15A	Rc 1/2	150	243	193	Rc 3/4	7.1
	20A	Rc 3/4	150	243	193	Rc 3/4	7.1
	25A	Rc 1	150	243	193	Rc 3/4	7.3
	32A	Rc 1-1/4	190	282	213	Rc 1	12.5
	40A	Rc 1-1/2	190	282	213	Rc 1	12.5
	50A	Rc 2	219	342	260	Rc 1	20.5
DS-2	15A	—	174 (178)	243	193	Rc 3/4	8.5 (8.7)
	20A	—	204 (208)	243	193	Rc 3/4	9.6 (9.8)
	25A	—	204 (208)	243	193	Rc 3/4	10.1 (10.5)
	32A	—	222 (226)	282	213	Rc 1	15.6 (16.0)
	40A	—	242 (246)	282	213	Rc 1	16.3 (16.7)
	50A	—	246 (250)	342	260	Rc 1	24.7 (24.9)
	65A	—	288 (292)	418	314	Rc 1	40.0
	80A	—	335 (343)	484	361	Rc 1-1/4	56.0
100A	—	390 (402)	594	445	Rc 1-1/4	100.0	

• The above values in parentheses are the dimensions and weights of JIS 20K FF flanged.



DS-1



DS-2